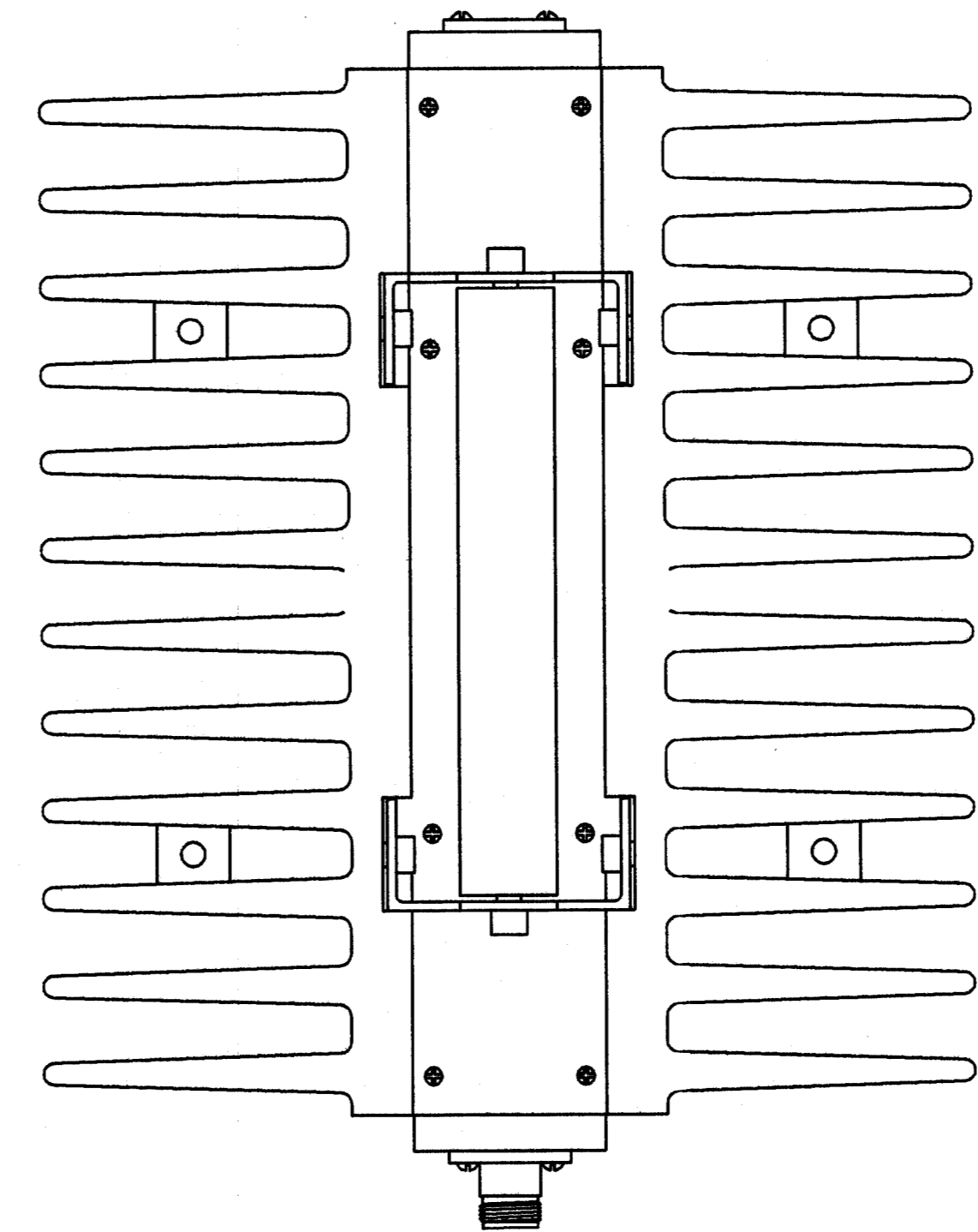
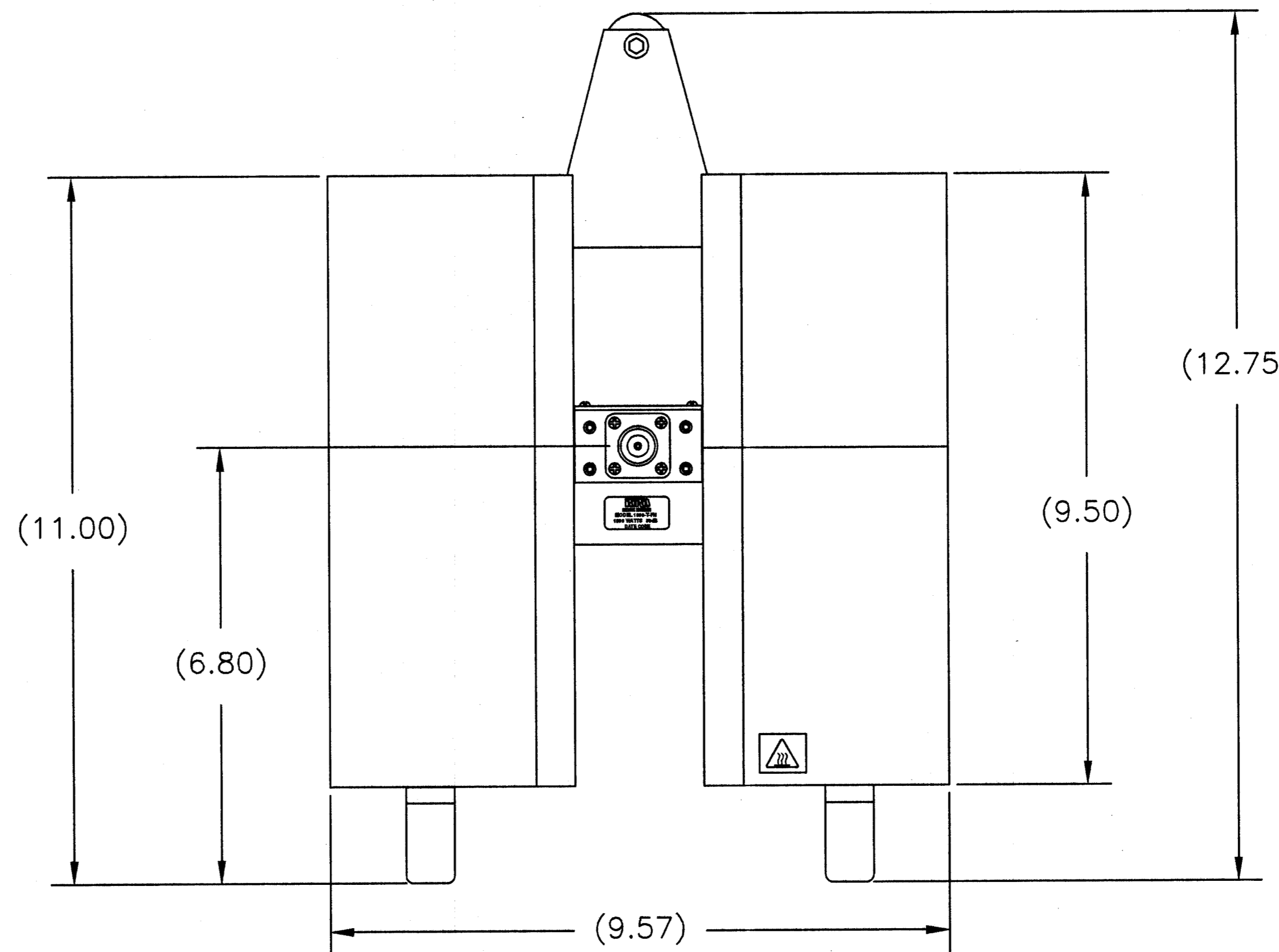
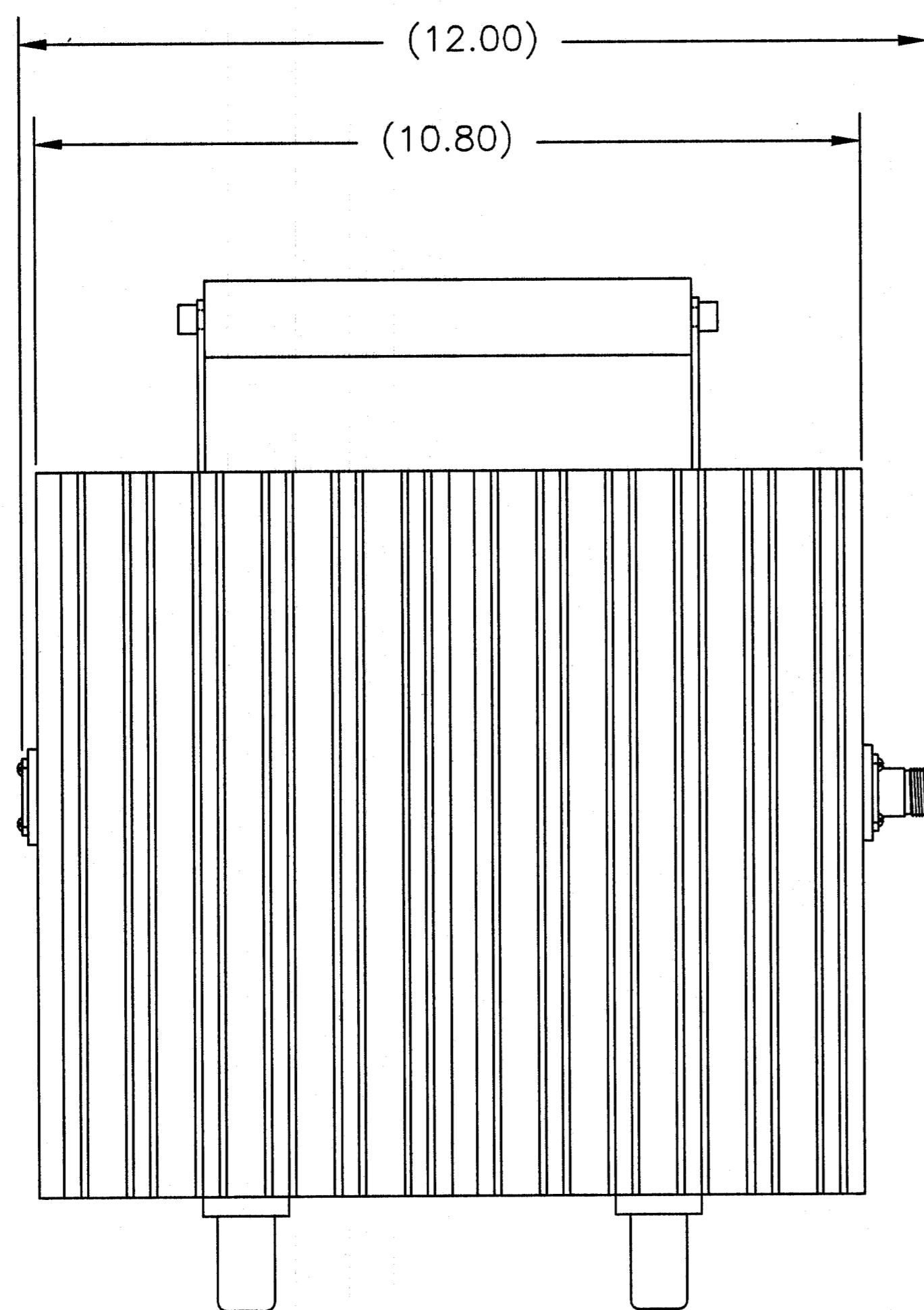


SPECIFICATIONS:  
 POWER RATING: 1000 WATTS AVG. AT 25°C.  
 DERATED LINEARLY TO 50 WATTS AT 125°C  
 IMPEDANCE: 50 OHMS NOMINAL  
 FREQUENCY RANGE: DC TO 2.4GHz  
 VSWR: DC TO 1GHz AT 1.10:1 MAX.  
 1GHz TO 2.4 GHz AT 1.25:1 MAX.  
 AMBIENT TEMPERATURE: -40°C TO +40°C  
 COOLING FIN: ALUMINUM, BLACK ANODIZED  
 COVER: ALUMINUM, BLACK ANODIZED  
 CONNECTOR: N-TYPE FEMALE  
 OPERATING POSITION: AS SHOWN (VERTICALLY)  
 NOMINAL SIZE: APPROX. 12.00" L X 12.75" H X 9.57" W  
 WEIGHT: APPROX. 26.5 LBS

REVISIONS				
ZONE	REV	DESCRIPTION	DATE	APPROVED
A		CONVERT TO BEC FORMAT	DMR 2-3-03	MW



DIMENSIONS HEREON ARE FOR CUSTOMER CONVENIENCE AND REFERENCE ONLY. TOLERANCE TO BE APPLIED ONLY WHERE INDIVIDUALLY STATED ON THE RESPECTIVE DIMENSION. -DO NOT SCALE DRAWING-

UNLESS OTHERWISE SPECIFIED DIMENSIONS ARE IN INCHES		MILLIMETERS	
TOLERANCES ARE:		.5" ±.4	
FRACTIONS	DECIMALS	ANGLES	.00" ±.12
±1/64	.00" ±.010	±30'	
DO NOT SCALE DRAWING			
MATERIAL	APPROVALS	DATE	TITLE
	D.M.RINK	2-3-03	TERMINATION, CONVECTION COOLED VERTICAL, N-TYPE FEMALE, 1000W
CHECKED			
APPROVED	MW	6/5/03	
FINISH	AUTOCAD		

THIS DRAWING IS THE PROPERTY OF THE BIRD ELECTRONIC CORPORATION. THE DESIGNS AND SPECIFICATIONS DISCLOSED HEREON ARE PROPRIETARY AND SHALL NOT BE REPRODUCED, NOR COPIED, NOR USED AS THE BASIS FOR THE MANUFACTURE OR SALE OF APPARATUS OR DEVICES WITHOUT THEIR EXPRESS WRITTEN CONSENT.			
SIZE	FSCM NO.	DWG. NO.	REV
D	70998	1000-T-FN	A
SCALE	1:1	CONM CODE	LD1
SHEET		1 OF 1	

